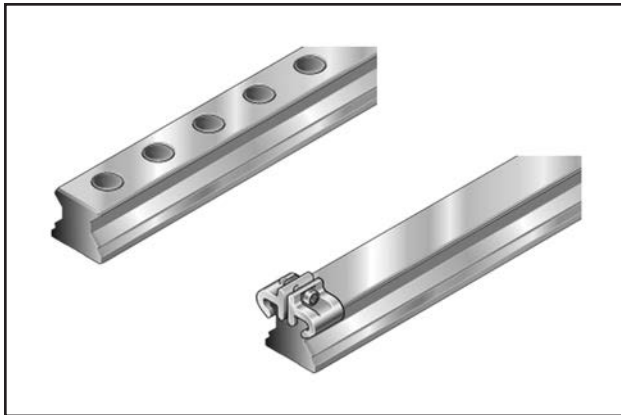


GoTo Focused Delivery Program: Roller Rails

Roller Rails – Rail System



Rexroth Roller Rail Systems in the GoTo program are available in sizes 35–55 with P accuracy. Rails are cut to length, in 1 mm increments. To assure your Roller Rail System can be shipped on the following day, please limit the overall length to 3900 mm.

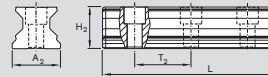
For complete engineering and design information:
 GoTo www.boschrexroth-us.com/GoToRollerrails

Features

- Up to 3 times higher load capacity as compared to Ball Type Systems
- O Arrangement for high torsional load capacity and maximum stiffness
- Available in two Top Mount configurations with Plastic Hole Plugs or with the Rail Seal for Optimum contamination protection
- Offered in 1 mm increments up to 3900mm

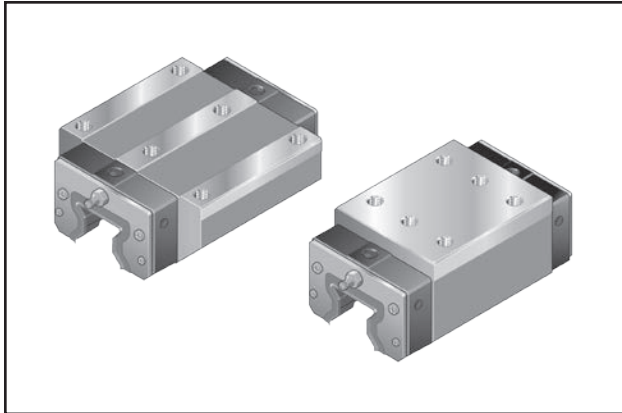
Technical Data

Size	Accuracy Class	A2 mm	H2		T2 Hole Spacing mm	L Max (GoTo) mm
			Hole Plug Version mm	Rail Version mm		
35	P	34	30.80	31.10	40	3900
45		45	38.80	39.10	52.5	3900
55		53	47.55	47.85	60	3900



GoTo Focused Delivery Program: Roller Rails

Roller Rails – Standard Runner Blocks for Heavy Duty Applications



Rexroth Roller Rail Systems in the GoTo program are available in sizes 35-55, P accuracy, with standard length flanged and high slimline blocks in 8% preload. Rails are cut to length, in 1 mm increments.

For complete engineering and design information:
GoTo www.boschrexroth-us.com/GoToRollerrails

Features

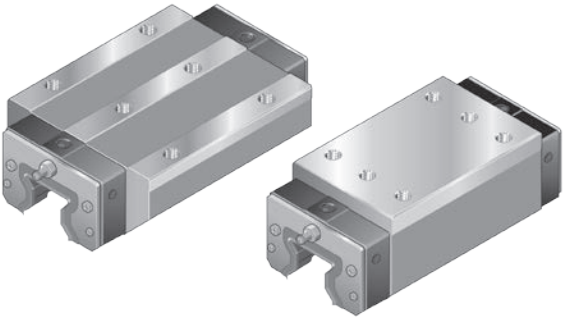
- Excellent dynamic characteristics: Vmax 3 m/s; Amax up to 150 m/s² to meet most application demands
- High load capacities in all load directions for robust applications
- Unlimited interchangeability due to standardized guide rail for all runner block versions for reduced inventory
- Comprehensive range of accessories for easy customization
- Integral, all-round sealing for superior contamination protection
- Multiple lubrication ports for auto lubrication design flexibility
- High rigidity for applications requiring minimal deflection

Technical Data

Size	Accuracy	Preload	Load capacities (N)		Moments (Nm)			
			C dyn.	C ₀ stat.	M _t dyn.	M _{t0} stat.	M _L dyn.	M _{L0} stat.
35	P	8%	56,300	113,500	1,114	2,245	700	1,400
45			92,300	184,800	2,277	4,559	1,430	2,860
55			128,900	248,600	3,779	7,288	2,400	4,620

GoTo Focused Delivery Program: Roller Rails

Roller Rails – Long Runner Blocks for Extra Heavy Duty Applications



Rexroth Roller Rail Systems in the GoTo program are available in sizes 35-55, P accuracy, with long length flanged and high slimline blocks in 8% preload. Rails are cut to length, in 1 mm increments.

For complete engineering and design information:
GoTo www.boschrexroth-us.com/GoToRollerrails





Features

- Excellent dynamic characteristics: Vmax 3 m/s; Amax up to 150 m/s² to meet most application demands
- High load capacities in all load directions for robust applications
- Unlimited interchangeability due to standardized guide rail for all runner block versions for reduced inventory
- Comprehensive range of accessories for easy customization
- Integral, all-round sealing for superior contamination protection
- Multiple lubrication ports for auto lubrication design flexibility
- High rigidity for applications requiring minimal deflection




Technical Data

Size	Accuracy	Preload	Load capacities (N)		Moments (Nm)			
			C dyn.	C ₀ stat.	M _t dyn.	M _{t0} stat.	M _L dyn.	M _{L0} stat.
35	P	8%	69,700	149,300	1,375	2,953	1,135	2,430
45			119,200	256,600	2,941	6,331	2,520	5,430
55			165,000	345,300	4,837	10,122	4,030	8,440

GoTo Focused Delivery Program: Part Numbers

Page Number	Description	Part Number	Maximum Quantity	Shipment (Business Days)
	<p>Ball Rails – Long Runner Blocks (continued)</p>  <p><i>GoTo www.boschrexroth-us.com/GoToBallrails</i></p>			
17	Long Slimline Runner block 15, clearance	R162319420	20	1
17	Long Slimline Runner block 15, preload	R162311420	20	1
17	Long Slimline Runner block 20, clearance	R162389420	20	1
17	Long Slimline Runner block 20, preload	R162381420	20	1
17	Long Slimline Runner block 25, clearance	R162329420	20	1
17	Long Slimline Runner block 25, preload	R162321420	20	1
17	Long Slimline Runner block 30, clearance	R162379420	20	1
17	Long Slimline Runner block 30, preload	R162371420	20	1
17	Long Slimline Runner block 35, clearance	R162339420	20	1
17	Long Slimline Runner block 35, preload	R162331420	20	1
17	Long Slimline Runner block 45, clearance	R162349420	20	1
17	Long Slimline Runner block 45, preload	R162341420	20	1
	<p>Ball Rails – Wide Runner Blocks</p>  <p><i>GoTo www.boschrexroth-us.com/GoToBallrails</i></p>			
18	Wide Runner block 25/70, clearance	R167129420	20	1
18	Wide Runner block 25/70, preload	R167121420	20	1
18	Wide Runner block 35/90, clearance	R167139410	20	1
18	Wide Runner block 35/90, preload	R167131410	20	1
	<p>Roller Rails – Rail System</p>  <p><i>GoTo www.boschrexroth-us.com/GoToRollerrails</i></p>			
19	Roller Rail 35 mm	R180535231	10	1
19	Roller Rail 35 mm, with Rail Seal and Clip Retainers	R180533261	10	1
19	Roller Rail 45 mm	R180545231	10	1
19	Roller Rail 45 mm, with Rail Seal and Clip Retainers	R180543261	10	1
19	Roller Rail 55 mm	R180555231	10	1
19	Roller Rail 55 mm, with Rail Seal and Clip Retainers	R180553261	10	1
	<p>Roller Rails – Standard Runner Blocks</p>  <p><i>GoTo www.boschrexroth-us.com/GoToRollerrails</i></p>			
20	<i>new</i> Slimline Standard Height Runner Block 35	R182132210	20	1
20	<i>new</i> Slimline Standard Height Runner Block 45	R182142210	20	1
20	<i>new</i> Slimline Standard Height Runner Block 55	R182152210	20	1
20	Standard Flanged Runner Block 35	R185132210	20	1
20	Standard Flanged Runner Block 45	R185142210	20	1
20	Standard Flanged Runner Block 55	R185152210	20	1

GoTo Focused Delivery Program: Part Numbers

Page Number	Description	Part Number	Maximum Quantity	Shipment (Business Days)
	<p>Roller Rails – Long Runner Blocks</p>  <p><i>GoTo www.boschrexroth-us.com/GoToRollerrails</i></p>			
21	Long Flanged Runner Block 35	R185332210	20	1
21	Long Flanged Runner Block 45	R185342210	20	1
21	Long Flanged Runner Block 55	R185352210	20	1
21	<i>new</i> Slimline Long Height Runner Block 35	R182432210	20	1
21	<i>new</i> Slimline Long Height Runner Block 45	R182442210	20	1
21	<i>new</i> Slimline Long Height Runner Block 55	R182452210	20	1
	<p>Miniature Ball Rail Products</p>  <p><i>GoTo www.boschrexroth-us.com/GoToMinis</i></p>			
22	Mini Rail 12mm	R044520331	10	1
22	Mini Rail 15mm	R044550331	10	1
22	Mini Rail 7mm	R044570331	10	1
22	Mini Rail 9mm	R044580331	10	1
22	Mini Runner block 12, clearance	R044229301	10	1
22	Mini Runner block 12, preload	R044221301	10	1
22	Mini Runner block 15, clearance	R044259301	10	1
22	Mini Runner block 15, preload	R044251301	10	1
22	Mini Runner block 7, clearance	R044279301	10	1
22	Mini Runner block 7, preload	R044271301	10	1
22	Mini Runner block 9, clearance	R044289301	10	1
22	Mini Runner block 9, preload	R044281301	10	1
	<p>Electromechanical Cylinders EMC Cylinders</p>  <p><i>GoTo www.boschrexroth-us.com/GoToEMC</i></p>			
23	EMC 100, max travel = 200mm, 40x5, T7, reduced backlash	R156061200	3	5
23	EMC 100, max travel = 320mm, 40x5, T7, reduced backlash	R021U60007	3	5
23	EMC 100, max travel = 400mm, 40x5, T7, reduced backlash	R021U60008	3	5
23	EMC 32, max travel = 100mm, 12x5, T7, reduced backlash	R156011100	3	5
23	EMC 40, max travel = 100mm, 16x5, T7, reduced backlash	R156021100	3	5
23	EMC 40, max travel = 200mm, 16x5, T7, reduced backlash	R156021200	3	5
23	EMC 50, max travel = 100mm, 20x5, T7, reduced backlash	R156031100	3	5
23	EMC 50, max travel = 200mm, 20x5, T7, reduced backlash	R156031200	3	5
23	<i>new</i> EMC 63, max travel = 100mm, 25x5, T7, reduced backlash	R156041100	3	5
23	<i>new</i> EMC 63, max travel = 200mm, 25x5, T7, reduced backlash	R156041200	3	5
23	EMC 80, max travel = 100mm, 32x5, T7, reduced backlash	R156051100	3	5
23	EMC 80, max travel = 320mm, 32x5, T7, reduced backlash	R021U50003	3	5