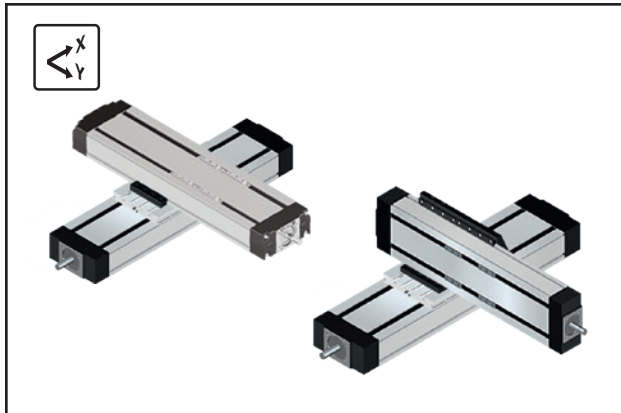


GoTo Focused Delivery Program: EasyHandling

# Connection Features and Components

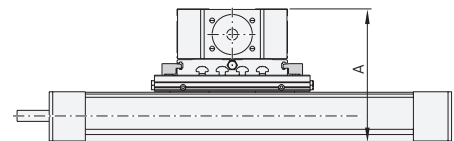


Combine EasyHandling Basic components effortlessly using Rexroth connection technology. Guideway Centering Ring option "03," designed for positive-locking connections, ensures good reproducibility of assemblies. This option is available on GoTo modules with a maximum L dimension of 1450 mm.

For complete engineering and design information:  
GoTo [www.boschrexroth-us.com/GoToEasyHandling](http://www.boschrexroth-us.com/GoToEasyHandling)

## Hardware Kit for Direct Connect

Direct Connect	X Axis Frame	Y Axis Frame	A (mm)
Standard	15-110	15-110	116.0
	20-145	20-145	150.0
		15-110	135.0

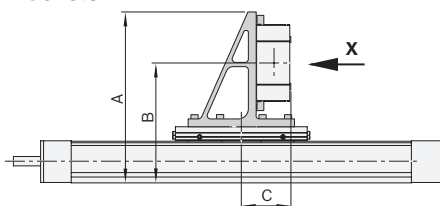


## Hardware Kit for Angled Brackets

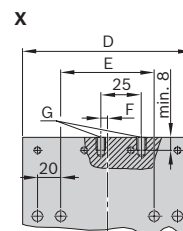
Angle Brackets	X Axis Frame	Y Axis Frame	A (mm)	B (mm)	C (mm)	E (mm)	F (mm)	G (mm)
Standard	20-145	15-110	248.0	176.0	87.0	80.0	12.5	M6

Extended Angle Brackets	X Axis Frame	Y Axis Frame	A (mm)	B (mm)	C (mm)	D (mm)	E (mm)	F (mm)	G (mm)	H (mm)
Left Hand	20-145	15-110	248.0	176.0	71.0	290.0	40.0	160.0	12.5	M6
Right Hand	20-145	15-110	248.0	176.0	71.0	290.0	40.0	160.0	12.5	M6

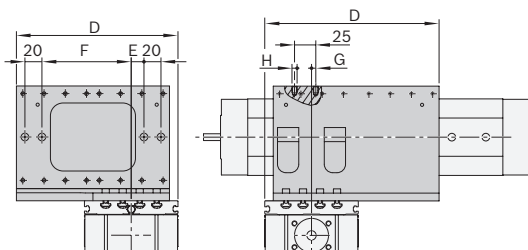
### All Angled Brackets



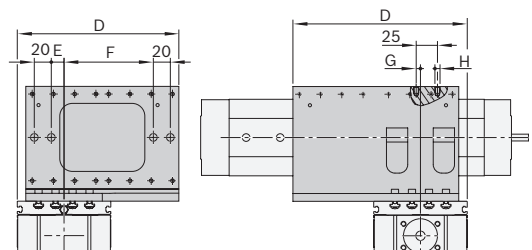
### Standard Angle Bracket



### Left Hand Angle Bracket



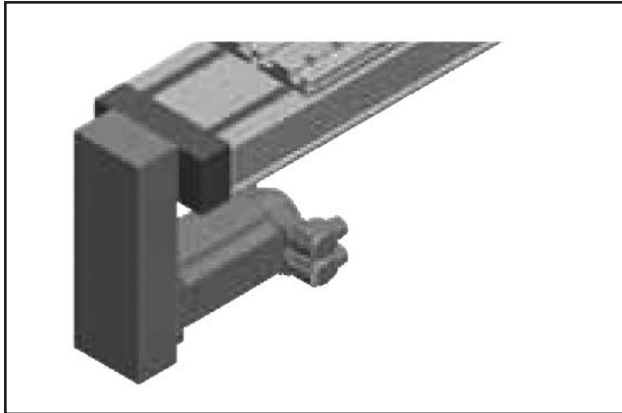
### Right Hand Angle Bracket



See Page 47 for part numbers and ordering information

GoTo Focused Delivery Program: EasyHandling

# Compact Module Motor Assembly



Add a motor to your GoTo module. GoTo module options have been expanded to now include select catalog motor options. This option provides delivery and full factory assembly of the motor and motor attachment to the module. Motor options available and mounting orientation information shown.



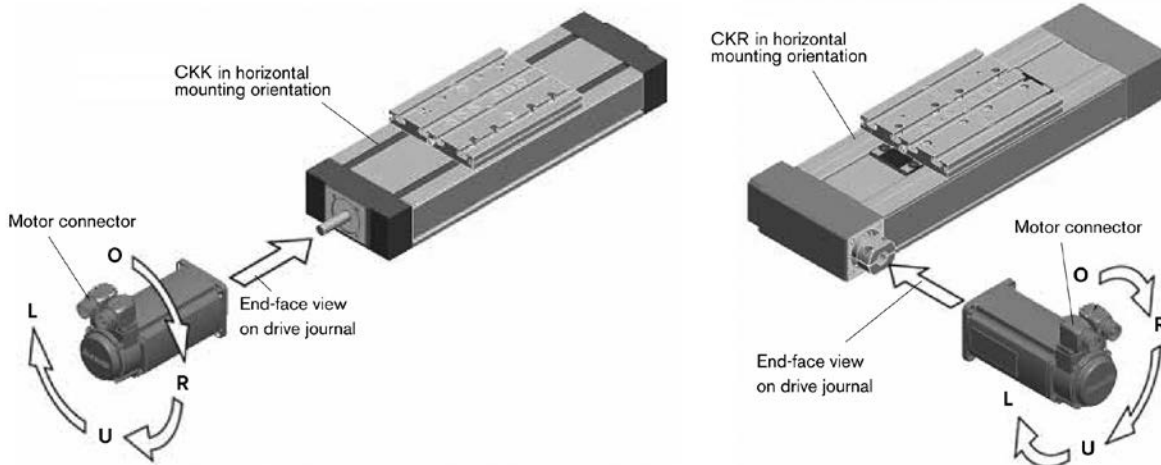
EasyHandling compatible options

For complete engineering and design information:  
GoTo [www.boschrexroth-us.com/GoToCompactModules](http://www.boschrexroth-us.com/GoToCompactModules)

## Rexroth Catalog Motors

Module Option Code	Motor	Part Number	Description
84	MSK 030C	R911308683	MSK030C-0900-NN-M1-UG0-NNNN
85		R911308684	MSK030C-0900-NN-M1-UG1-NNNN
86	MSK040C	R911306060	MSK040C-0600-NN-M1-UG0-NNNN
87		R911306061	MSK040C-0600-NN-M1-US10NNNN
108	MSM 031C	R911325139	MSM031C-0300-NN-M0-CH0
109		R911325140	MSM031C-0300-NN-M0-CH1
110	MSM 041B	R911325143	MSM041B-0300-NN-M0-CH0
111		R911325144	MSM041B-0300-NN-M0-CH1


Motor orientation, viewed end-on looking at the module drive input, must be specified on the order. O-Top, R-Right, U-Bottom, L-Left.



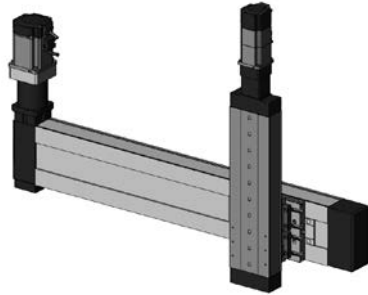
See Page 47 for part numbers and ordering information

GoTo Focused Delivery Program: EasyHandling


# Easy Handling Assemblies

	<p>Combine any individual options for GoTo modules to create a custom two axis system. The available combinations include direct and angle bracket connections between a base axis CKx 20-145 to a secondary axis CKx 15-110. Standardized assembly drawings available as a guide for easy specification.</p> <p>For complete engineering and design information:  <b>GoTo <a href="http://www.boschrexroth-us.com/GoToEasyHandling">www.boschrexroth-us.com/GoToEasyHandling</a></b></p>
---	---

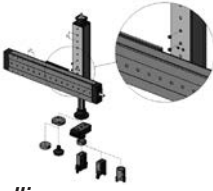


## 2 Axis Direct Connection

	<ul style="list-style-type: none"> <li>• CKR 20-145 to CKK 15-110</li> <li>• CKK 20-145 to CKK 15-110</li> </ul> <p>Available as either carriage or frame traveling on the secondary axis. The "03" Guideway is required on the secondary axis for carriage traveling scenarios.</p>
--	--

## 2 Axis with Angle Bracket

	<ul style="list-style-type: none"> <li>• CKK 20-145 to CKK 15-110</li> <li>• CKR 20-145 to CKR 15-110</li> </ul> <p>Available as carriage traveling only on the secondary axis. The "03" Guideway is required for this assembly type</p>
---	--

GoTo Focused Delivery Program: Part Numbers

Page Number	Description	Part Number	Maximum Quantity	Shipment (Business Days)
	 <p><b>EasyHandling Connection Features</b> GoTo <a href="http://www.boschrexroth-us.com/GoToEasyHandling">www.boschrexroth-us.com/GoToEasyHandling</a></p>			
31	<i>new</i> GoTo Module with 03 Guideway Option (Centering Ring Machining)	Varies	4	15
32	GoTo Module with Rexroth Catalog Motors	Varies	2	15
	 <p><b>EasyHandling Compact Module and Motor Assembly</b> GoTo <a href="http://www.boschrexroth-us.com/GoToEasyHandling">www.boschrexroth-us.com/GoToEasyHandling</a></p>			
32	Angle X20/Y15	R039110128	2	3
32	<i>new</i> Connecting Kit Extended X20 / Y15 (Left Hand)	R039110182	2	3
32	<i>new</i> Connecting Kit Extended X20 / Y15 (Right Hand)	R039110176	2	3
32	Connecting Kit X15/Y15	R039120046	3	3
32	Connecting Kit X20/Y15	R039120047	3	3
32	Connecting Kit X20/Y20	R039120048	3	3
	 <p><b>EasyHandling Two Axis Assemblies</b> GoTo <a href="http://www.boschrexroth-us.com/GoToEasyHandling">www.boschrexroth-us.com/GoToEasyHandling</a></p>			
33	2-axis Assembly (Angle Connection)	R021CSXXX	2	20
33	2-axis Assembly (Direct Connection)	R021CSXXX	2	20