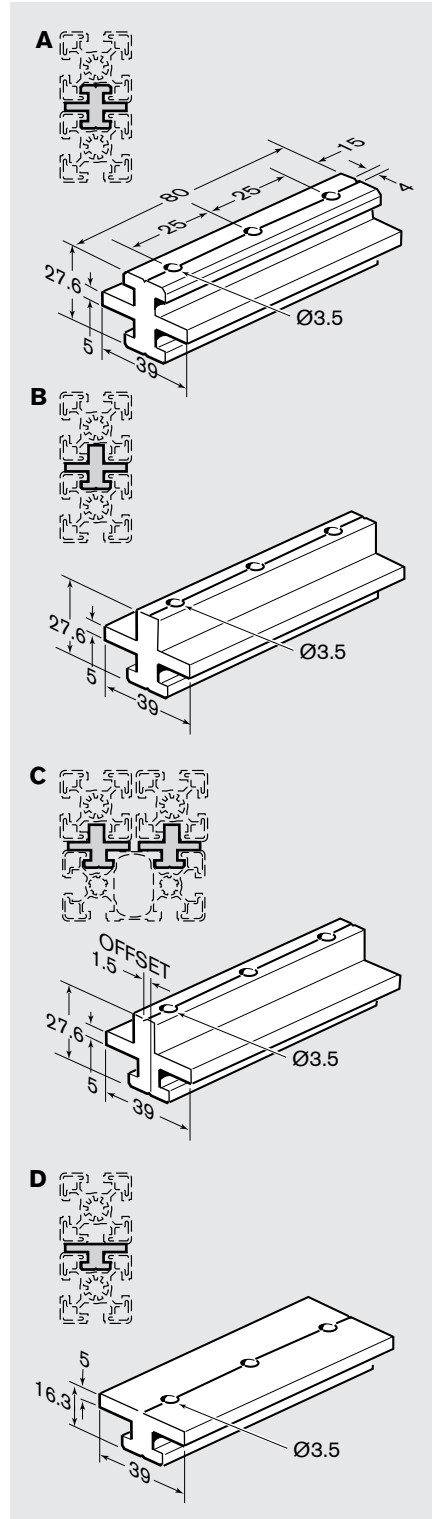


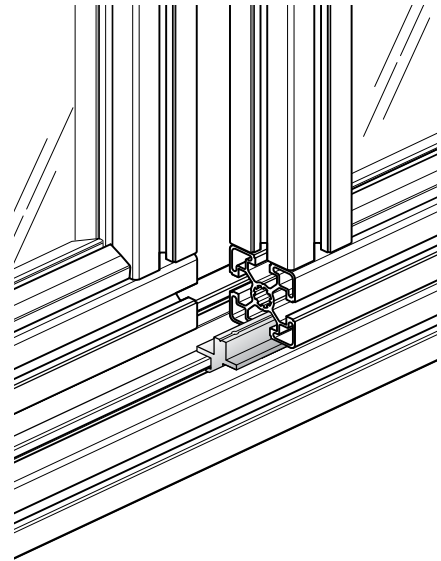
Section 13: EcoSlide™ Linear Sliding Carriages and Bearings


Slide Bearings—10mm 



**Features:**

- Economical, low-wear slider bearings suitable for drawers and sliding or lifting doors
- Ideal applications where two profiles need to be moved manually along the same plane
- Offset slider D allows for multiple sliding elements, such as overlapping doors or windows
- Bearings made with Delrin® for low friction and long service life
- 10mm bearings are predrilled with 3.5mm diameter mounting holes (holes are NOT tapped)



Description	Lot Size	Part Number
<b>A</b> 10mm-to-10mm slide bearing	1	<b>3 842 523 205</b>
<b>B</b> 10mm slide bearing	1	<b>3 842 523 206</b>
<b>C</b> 10mm slide bearing, offset	1	<b>3 842 523 207</b>
<b>D</b> 10mm slide bearing, flat	1	<b>3 842 530 329</b> 

**Assembly Note**

$$\frac{P_V \times A}{S} = \text{Expected Life} / \text{Load for Delrin bearings}$$

$P_V = 3000$  (Delrin)  
 $A =$  Surface area of bearing in  $\text{mm}^2$   
 $S =$  Speed in millimeters per minute