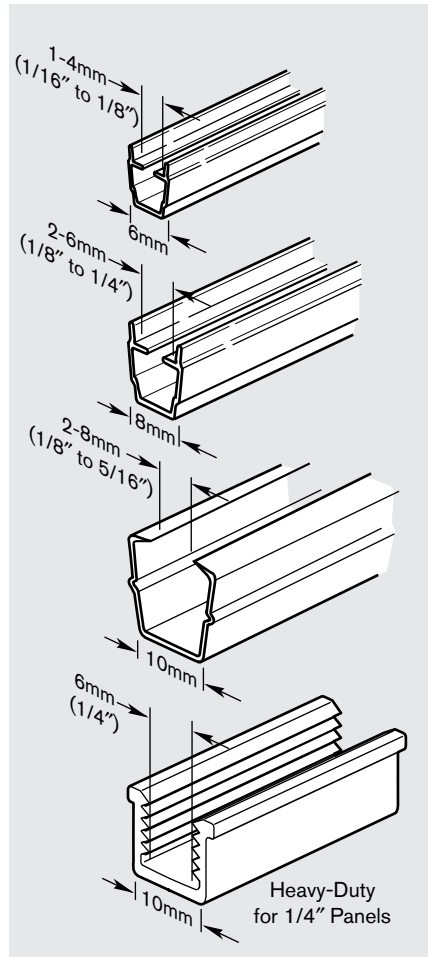


Section 6: EcoSafe™ Guarding and Machine/Safety Enclosures

6

Panel Support Inserts 6 8 10

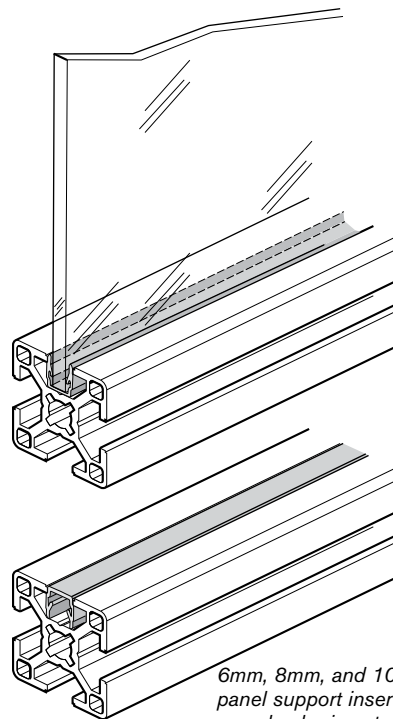


Features:

- Securely fasten panels from 2mm to 8mm thick in profiles with 6mm, 8mm, or 10mm T-slots
- Sturdy design prevents panels from shifting within the T-slot
- Easy snap-in installation
- Can be inverted for use as a black T-slot cover strip
- When using heavy 1/4" panels in a 10mm T-slot, the heavy-duty panel support is recommended

Material:

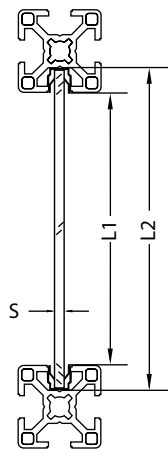
- Black polypropylene



6mm, 8mm, and 10mm panel support inserts can also be inverted for use as cover strips.

Description	Lot Size	Part Number
6mm panel support insert, 2000mm long	1	3 842 518 343
8mm panel support insert, 2000mm long	1	3 842 518 347
10mm panel support insert, 2000mm long	1	3 842 518 351
Heavy-duty 10mm panel support insert, 2000mm long	1	3 842 146 906

Panel Sizing Dimensions



	L2 (mm)	S (mm)
6	L1 + 7.7*	1-4
8	L1 + 14.4*	2-6
10	L1 + 21.4*	2-8
10 Heavy Duty	L1 + 16*	6 (1/4≤)
10 See Note!	L1 + 24.4*	2-8

* Tolerance is +0.0 -0.1
Note: 45x45 and 45x90 only!