

Section 3: Profile Connectors

Joining Plates

Features:

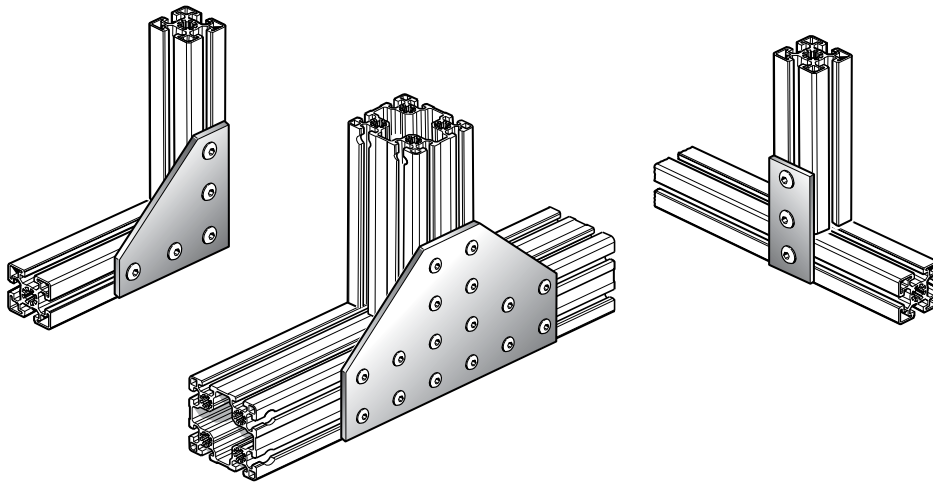
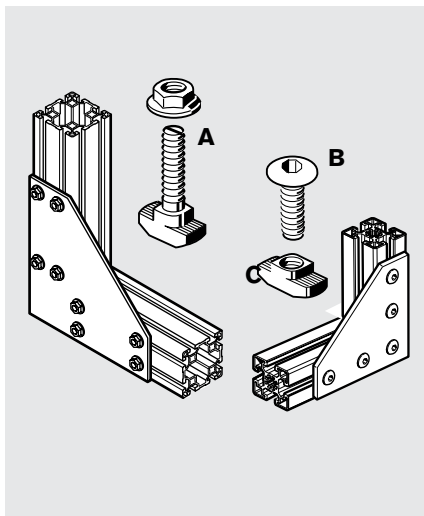
- Fasten to the outside faces of the profiles, leaving the inner T-slots free for panels or accessories.
- Can be added to reinforce a structure after initial assembly
- Three different styles available in a variety of sizes

Material:

- 30-, 45-, and 90-series: clear anodized 6063-T6 aluminum

Recommended fasteners (order below):

- 30-series (8mm T-slots): M6x12 BHCS DIN 9427 and M6 8mm T-nut OR 8mm T-bolt fastening kit, L=23mm
- 45-, and 90-series (10mm T-slots): M8x16 BHCS DIN 9427 and M8 10mm T-nut OR 10mm T-bolt fastening kit, L=24mm

**Fasteners for Joining Plates** 8 10**Features:**

- Use 8mm fasteners for attaching joining plates to 30-series profiles
- Use 10mm fasteners for attaching joining plates to 45-, and 90-series profiles

- Use button-head cap screws and T-nuts to create a high-tech, smooth "riveted" look, or use T-bolt kits for a more rugged look

Material:

- Zinc-plated steel

Description**Lot Size****Part Number**

A 8mm T-bolt fastening kit, L=23mm 8	1	8 981 019 579
B M6x12 BHCS, DIN 9427 8	1	3 842 507 071
C 8mm M6 T-nut 8	1	3 842 501 753
A 10mm T-bolt fastening kit, L=24mm 10	1	8 981 021 344
B M8x16 BHCS, DIN 9427 10	1	3 842 509 423
C 10mm M8 T-nut 10	1	3 842 530 287