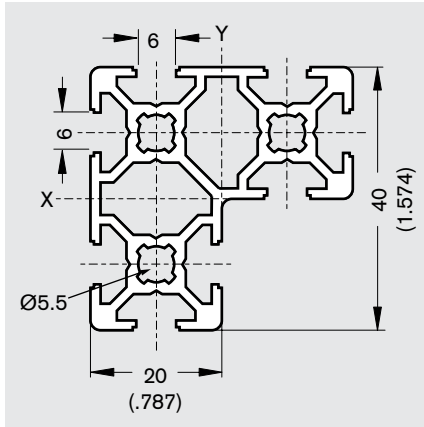


Section 2: Profiles

2

20x40x40 



Features:

- L-shape allows for easy attachment of racks and shelves
- Use for enclosures and display cases
- Has eight 6mm T-slots

Non-Machined End Finish Options

Part Number

Profile 20x40x40, pkg. of 16, 3000mm long

3 842 537 818



Profile 20x40x40, single, 3000mm long

3 842 523 241

Machined Options

End Finish

Part Number

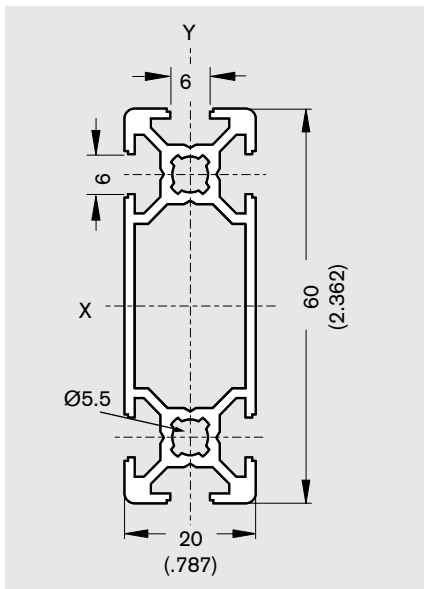
Profile 20x40x40, -/-, specify length $\geq 30\text{mm} \leq 3000\text{mm}$



3 842 992 991/ __mm

Please contact your distributor for other machining options.

20x60 



Features:

- Provides increased strength for light-duty machine bases and standard manual workstations
- Has six 6mm T-slots

Non-Machined End Finish Options

Part Number

Profile 20x60, pkg. of 16, 3000mm long

3 842 537 819

Profile 20x60, single, 3000mm long

3 842 523 239

Machined Options

End Finish

Part Number

Profile 20x60, -/-, specify length $\geq 30\text{mm} \leq 3000\text{mm}$



3 842 992 992/ __mm

Please contact your distributor for other machining options.

GoTo boschrexroth-us.com/framing to get these in stock items **FAST** from your local distributor