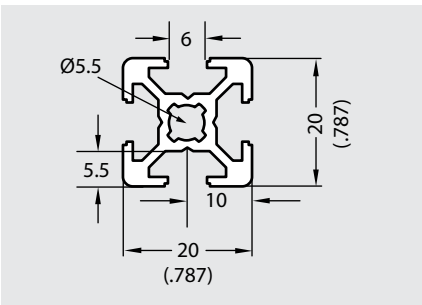
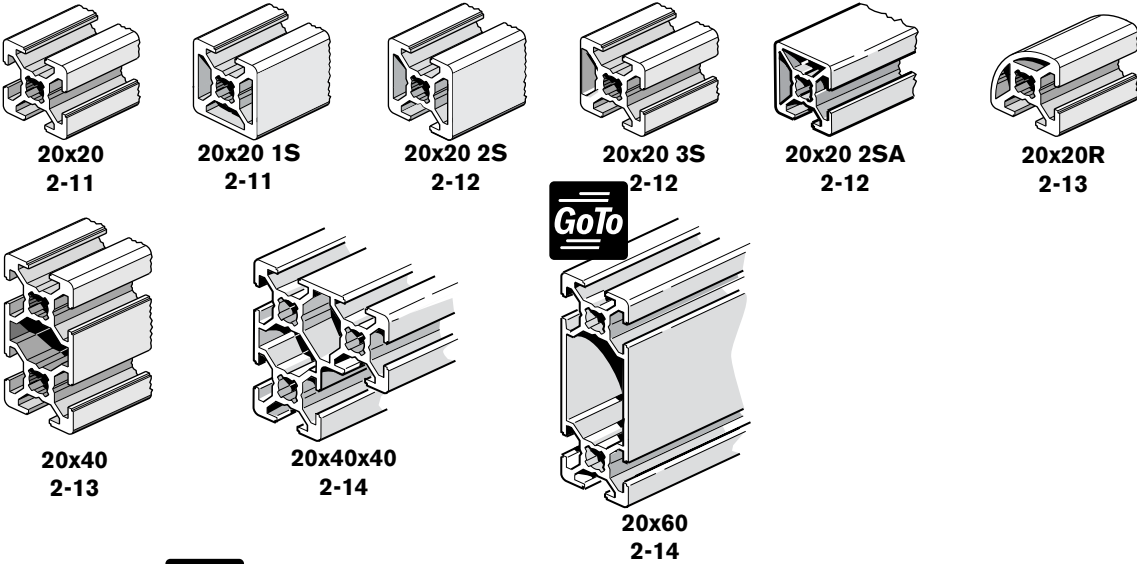


Section 2: Profiles

# 20-Series Profiles



**Features:**

- Ideal for light-duty construction
- Has four 6mm T-slots

**Non-Machined End Finish Options**

	Part Number
Profile 20x20, pkg. of 20, 3000mm long	<b>3 842 517 179</b>
Profile 20x20, single, 3000mm long	<b>3 842 517 173</b>

**Machined Options**

Profile 20x20, -/-, specify length  $\geq 30\text{mm} \leq 3000\text{mm}$

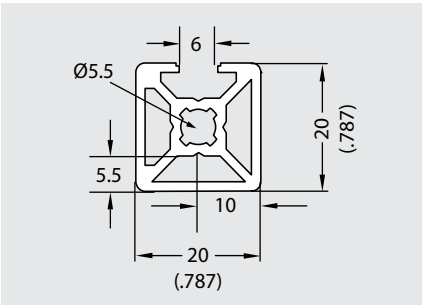
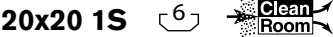
**End Finish**



**Part Number**

**3 842 992 888/ \_\_mm**

Please contact your distributor for other machining options.



**Features:**

- Ideal for light-duty construction
- Closed T-slot adds neat, finished appearance

**Non-Machined End Finish Options**

	Part Number
Profile 20x20 1S, pkg. of 20, 3000mm long	<b>3 842 536 475</b>
Profile 20x20 1S, single, 3000mm long	<b>3 842 536 476</b>

**Machined Options**

Profile 20x20 1S, -/-, specify length  $\geq 30\text{mm} \leq 3000\text{mm}$

**End Finish**



**Part Number**

**3 842 993 421/ \_\_mm**

Please contact your distributor for other machining options.

GoTo [boschrexroth-us.com/framing](http://boschrexroth-us.com/framing) to get these in stock items **FAST** from your local distributor