

Workstation accessories

# Holders



## Cup holder

Material: plastic. Color: black.  
We recommend using M5 T-nuts to attach to the strut profile.



00120936




00120963

### Cup holder

<b>Material no.</b>
<b>3 842 513 722</b>

### M5 T-nut

	<b>Material no.</b>
100	<b>3 842 530 283</b>

The bottle holder accommodates bottles and rectangular drink cartons.

Material: plastic coated steel wire, color: light gray RAL 7035.  
We recommend using M5 T-nuts to attach to the strut profile.



00120937




00120939

### Bottle holder

<b>Material no.</b>
 <b>3 842 538 314</b>

### M6 T-nut

	<b>Material no.</b>
100	<b>3 842 530 285</b>

Workstation accessories

The cloth holder provides a handy place to keep cleaning cloths.

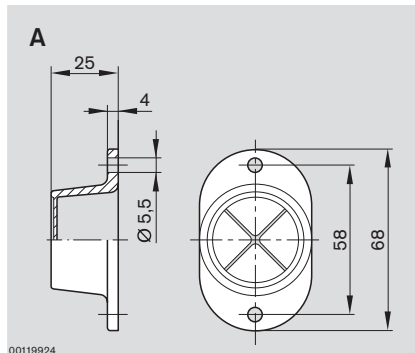
Material: plastic. Color: black. We recommend using two M5 T-nuts to attach the type A cloth holder to the strut profile. A molded-on T-nut is used to mount the type B holder directly onto the strut profile.



00121037



00121036

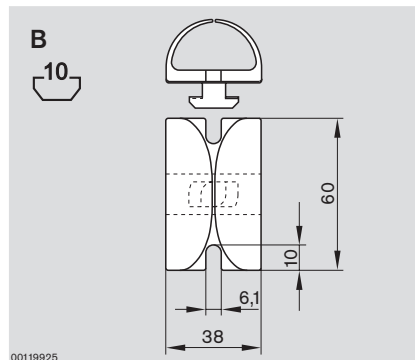


Cloth holder

	Material no.
A	1 845 719 000

M5 T-nut

	Material no.
100	3 842 530 283



Cloth holder

	Material no.
B	3 842 530 306