

On-hand information

Information boards at the workstation



The information board in DIN A4 format is available in one-sided and two-sided versions as well as with optional insert areas for notice boards. Information boards can be mounted horizontally or vertically.

Frame profile
Material: aluminum, anodized
Color: natural

Backing and board
Material: sheet steel powder-coated
Color: charcoal gray RAL 7016

Incl. fastening kit, reinforced transparent plastic sleeves (☞ 2-65), self-adhesive text holder in a neutral color.



00127195

Material no.**3 842 502 151**

00127196

Material no.**3 842 502 153**☠ **3 842 537 870**

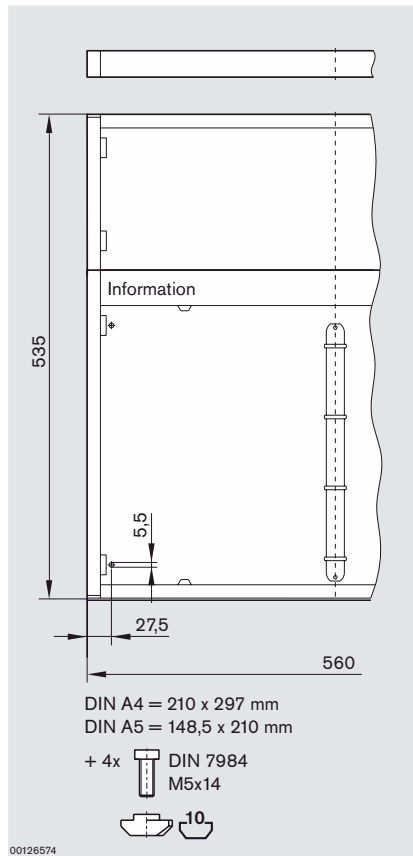
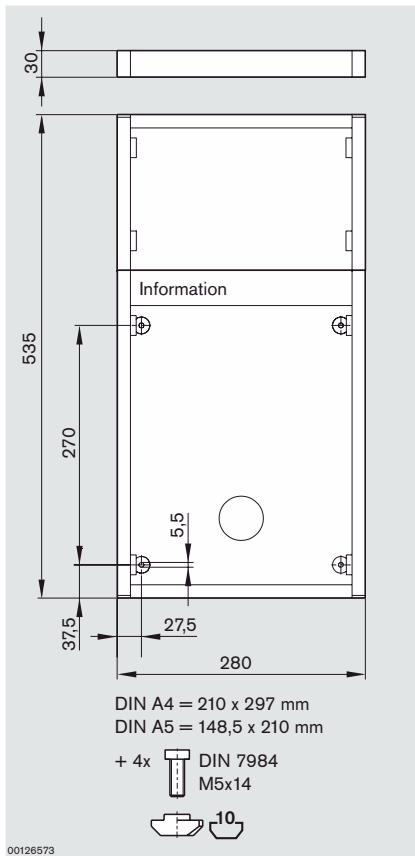
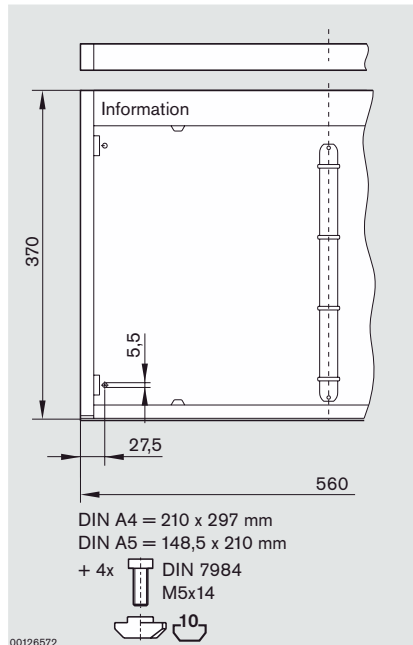
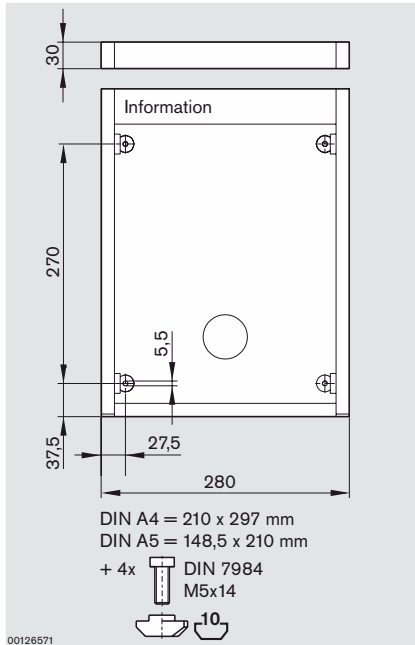
00127197

Material no.**3 842 502 152**

00127198

Material no.**3 842 502 154**

On-hand information



On-hand information

Information boards ISO



Information board used for making information available at the workstation. The information board can be mounted horizontally or vertically. It accommodates 18 reinforced transparent plastic sleeves (☞ 2-65)

A European version with 4 holes
B US version with 3 holes

Material: ABS. Color: charcoal gray RAL 7016.

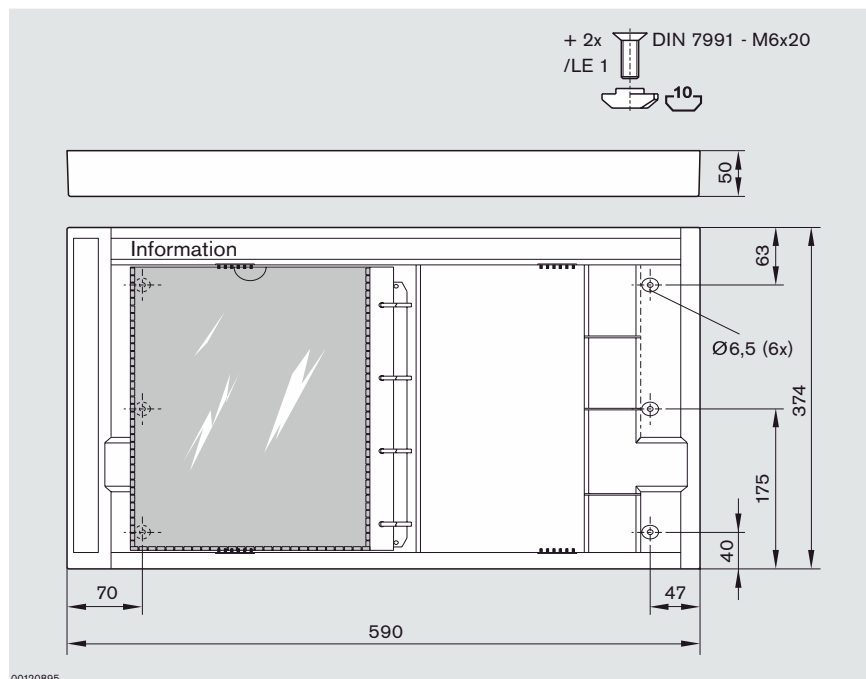
Incl. fastening kit, reinforced transparent plastic sleeve, labels in several languages.



00127200



00127201



Information boards ISO

	Material no.
A	3 842 517 163
B	3 842 517 164

On-hand information

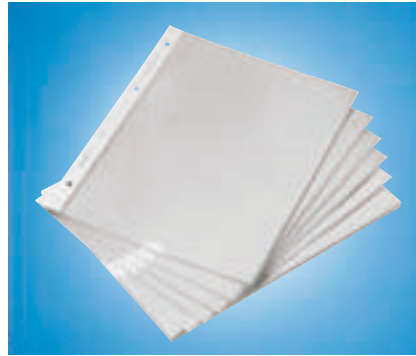
Transparent plastic sleeves for information boards



Reinforced transparent plastic sleeves


- A** European version with 4 holes, DIN A4
- B** US version with 3 holes, letter format

Material: PVC



00121035

Transparent plastic sleeves

		Material no.
A	10	3 842 502 162
B	10	3 842 516 813

Reinforced ESD transparent plastic sleeves

The ESD transparent plastic sleeves are permanently conductive in accordance with DIN EN 61340-5-1. Surface resistivity $< 10^9 \Omega$. ESD conductivity can be influenced by UV rays, heat, and chemicals. We recommend regular monitoring (yearly).




- A** European version with 4 holes, DIN A4
- B** US version with 3 holes, letter format

Material: PVC



00127269

ESD transparent plastic sleeves

		Material no.
A	10 	3 842 537 358
B	10 	3 842 537 360