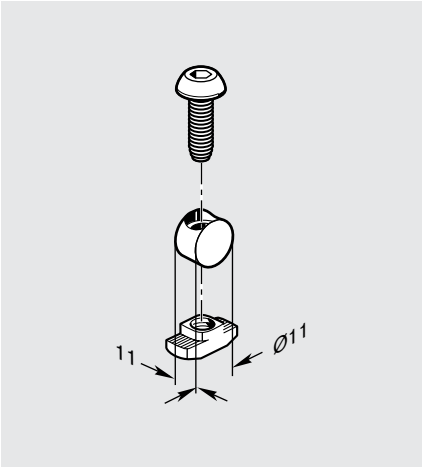


Section 3: Profile Connectors

Other 90° Right-Angle Connectors

11x30mm Bolt Connector Kits



Features:

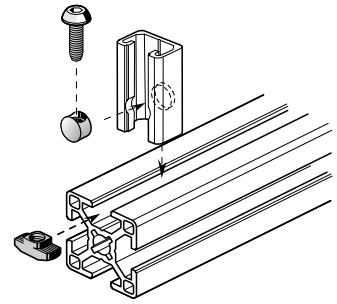
- Provides strong right-angle connection
- Versions available for attaching 11x30 profile to profiles with 8mm or 10mm T-slots

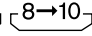
Material:

- Bolt connector, screw, and T-nut: zinc-plated steel

Machining Required:

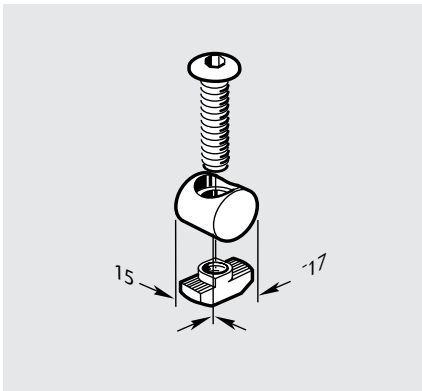
- 11mm hole through 11x30 profile



Description	Lot Size*	Part Number
11x30mm bolt connector kit 	10	3 842 535 617

* For smaller quantities, please contact your local distributor.

15x22.5mm Bolt Connector Kit



Features:

- Provides strong right-angle connection for 15x22.5 profile

Material:

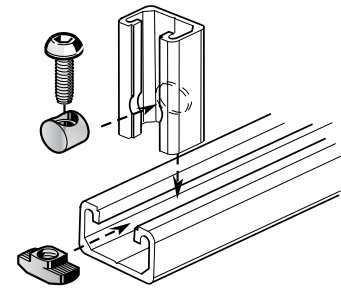
- Bolt connector, screw, and T-nut: zinc-plated steel

Machining Required:

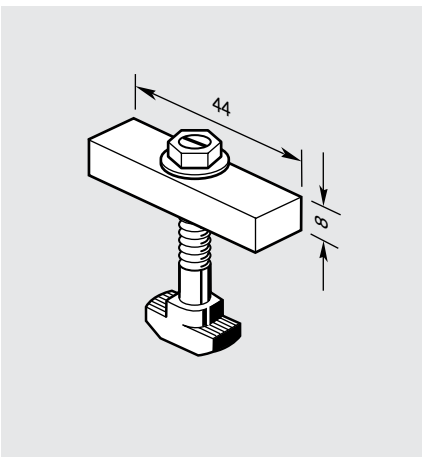
- 17mm through-hole (see drawing)

Description	Lot Size*	Part Number
15x22.5mm bolt connector kit	10	3 842 535 619

* For smaller quantities, please contact your local distributor.



Cross Connector Kit



Features:

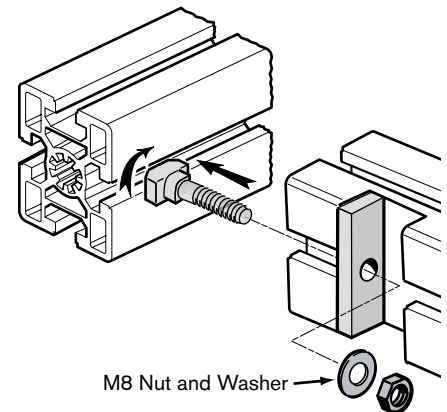
- Provides strong, torque-resistant connection to support heavy loads
- Commonly used in conveyor leg sets and machine frames
- Works with 45- and 90-series profiles, as well as 60x90H

Material:

- Zinc-plated steel

Machining Required:

- 30mm wide milled slot



Description	Lot Size	Part Number
Cross connector kit	1	3 842 146 972